



Heavy Duty Gas Range

*4 or 6 Burner Stove Top
with Optional Oven*

Job Name: _____

Item No.: _____

Desco's heavy-duty gas ranges feature fully welded frames with cast iron grates. Each frame is surrounded by front, back, and side panels made of AISI 304 stainless steel. The flue riser and drip trays are also made of AISI 304 stainless steel, while the single pullout crumb tray is constructed of aluminized steel.

The six, two-piece burners max out at 35,000 BTU each, while sporting brass heads and individual gas pilots to minimize the impact of accidental spills while cooking. Each unit has a removable front panel and adjustable stainless steel legs for easier cleaning and maintenance inside and underneath the unit.

The 27,000 BTU oven's interior is made of entirely stainless steel AISI 430. It's fully encased, double insulated oven walls keep the cooking temperature constant while conserving energy at the same time. It has three rack guides with two stainless steel racks on the interior. The heavy-duty door hinge resists standard wear and tear after years of use. The "AA" battery operated pilot starter allows the user to start the oven with easy. The thermostat temperature ranges from 212 to 644 F (100 to 340 C).



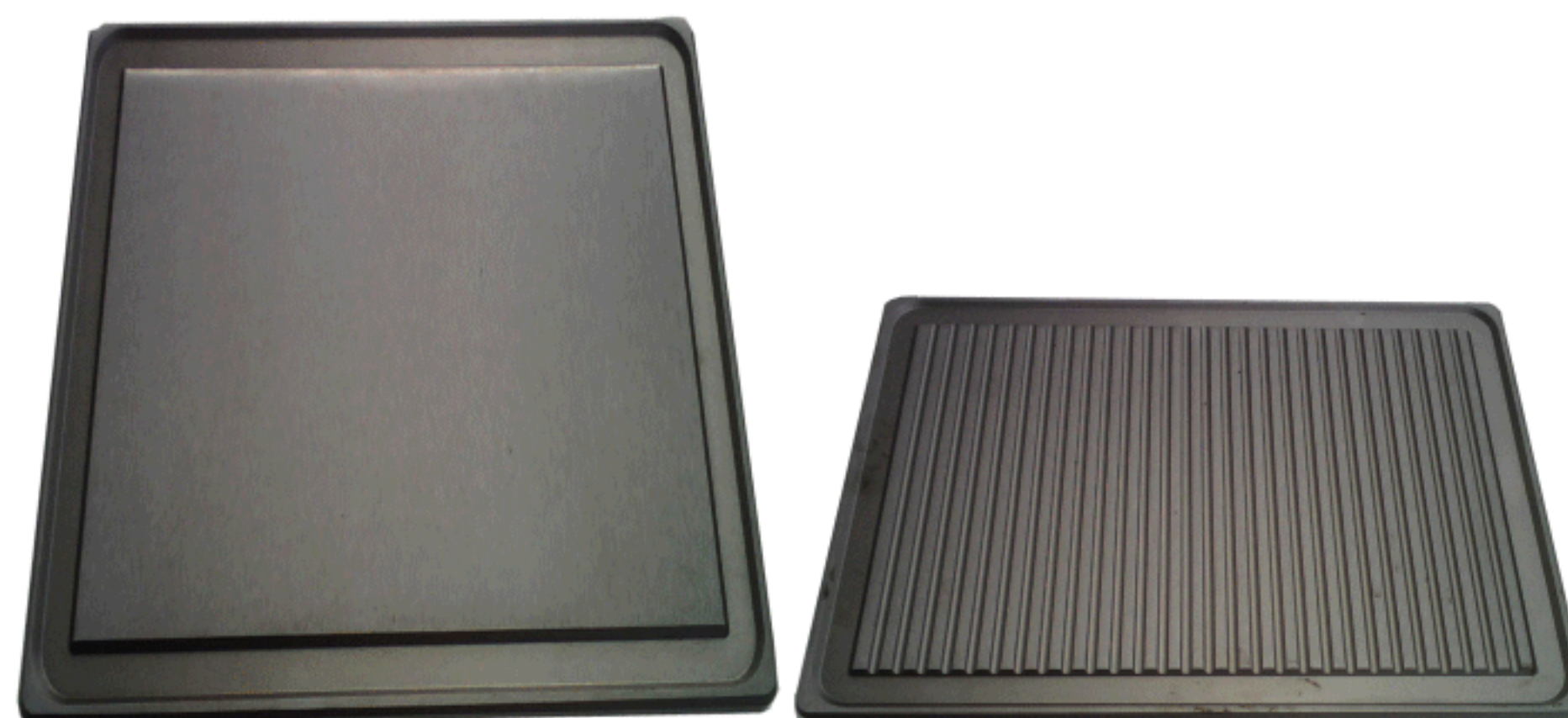
Model CBG 916 Pictured



Optional Accessories:



Smaller 24,000 BTU
burners



Fry top plate, smooth
or grooved



Stainless steel reducer
for cast iron grate

Desco USA, Inc.
9620 Joliet Road
Countryside, IL 60525

Tel. 708.588.1099
Fax. 708.588.1097
www.descousa.com
info@descousa.com



Heavy Duty Gas Range

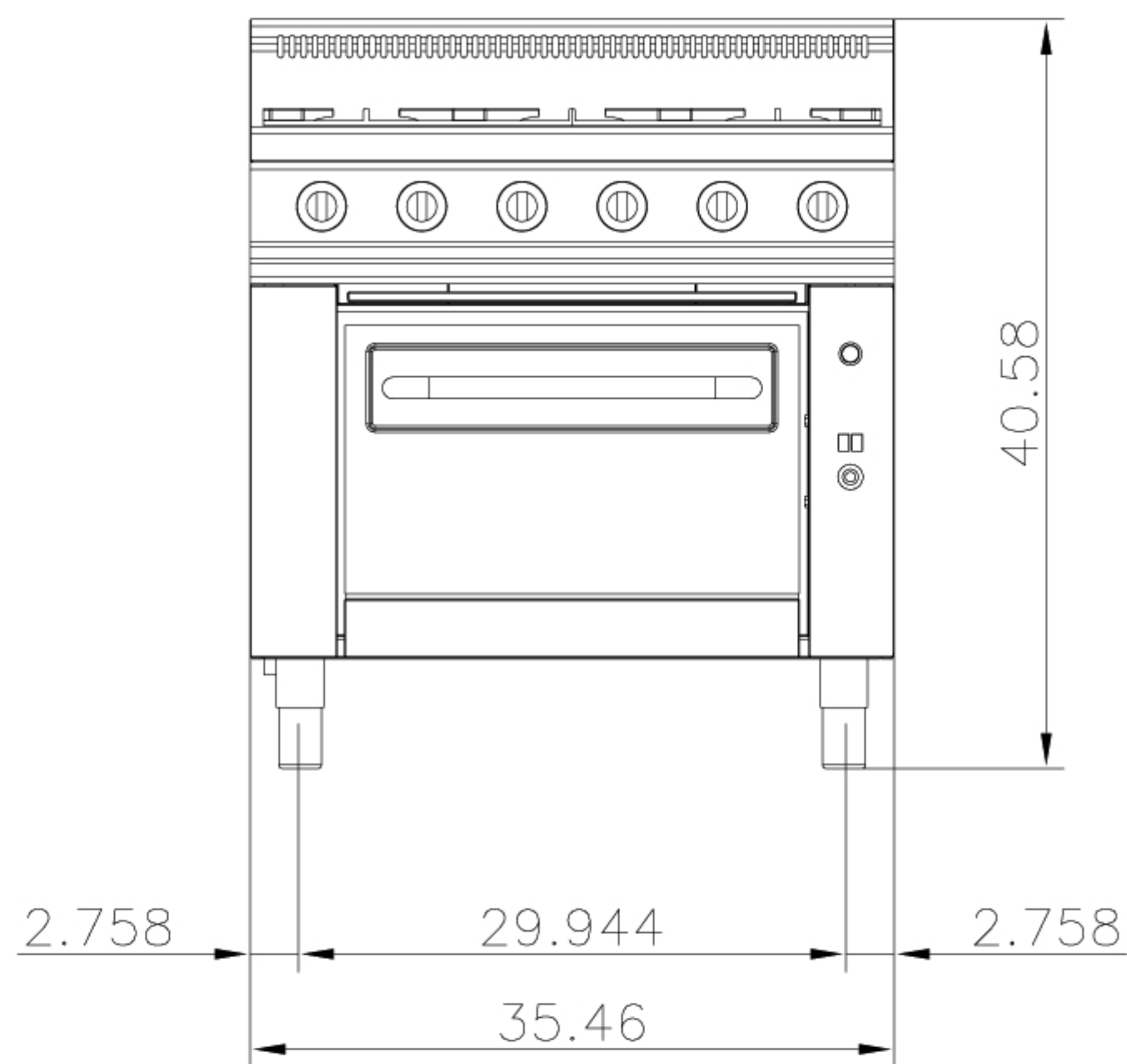
4 or 6 Burner Stove Top
with Optional Oven

Job Name: _____

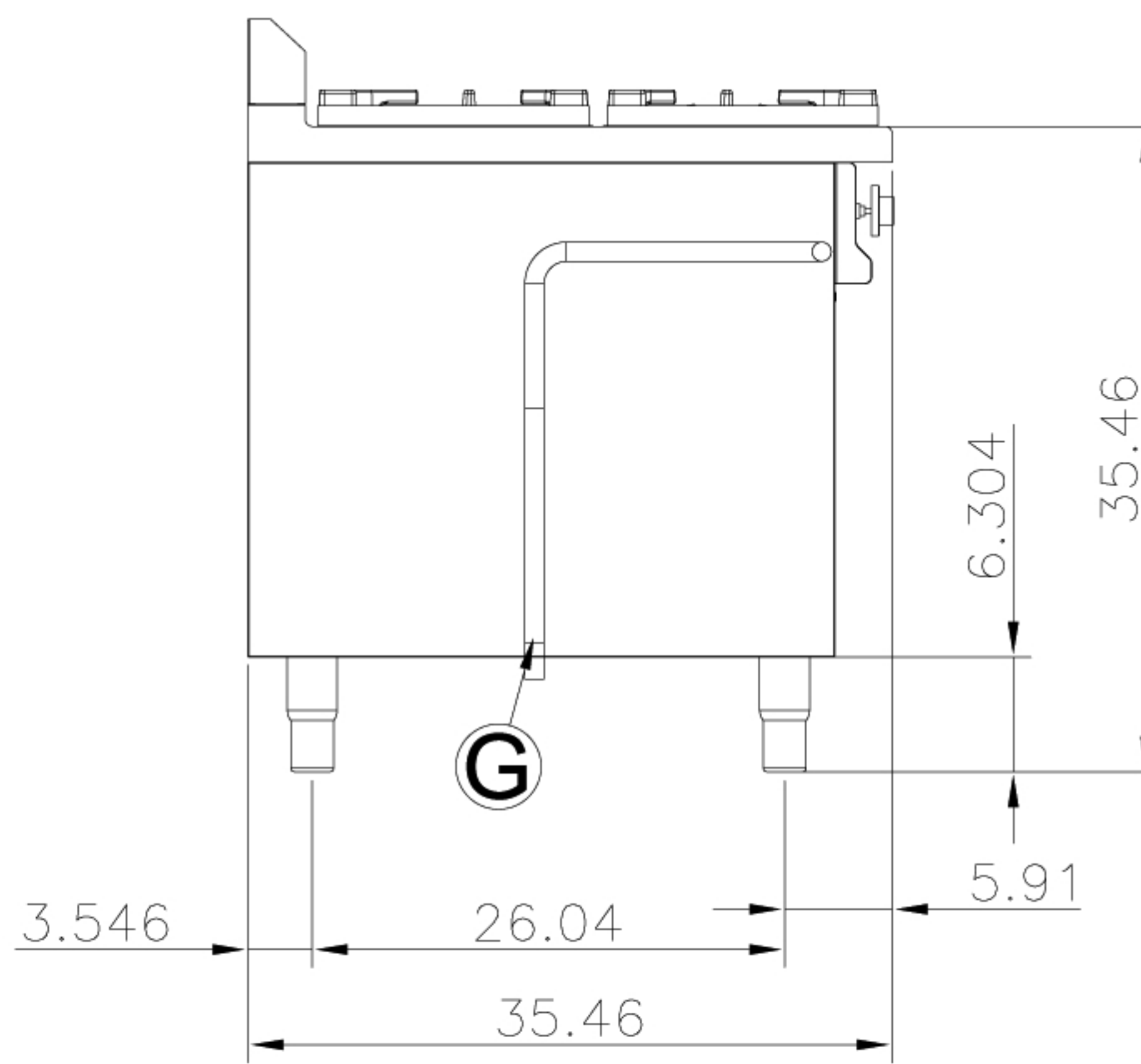
Item No.: _____

GAS MODELS	CBG 904	CBG 906	CBG 916
Max Thermal Power	140,000 BTU	210,000 BTU	236,950 BTU
Min Thermal Power	5,840 BTU	8,750 BTU	8,750 BTU
Number of Burners	4	6	6
Oven Thermal Power	NA	NA	26,950 BTU
Weight	244	282	368

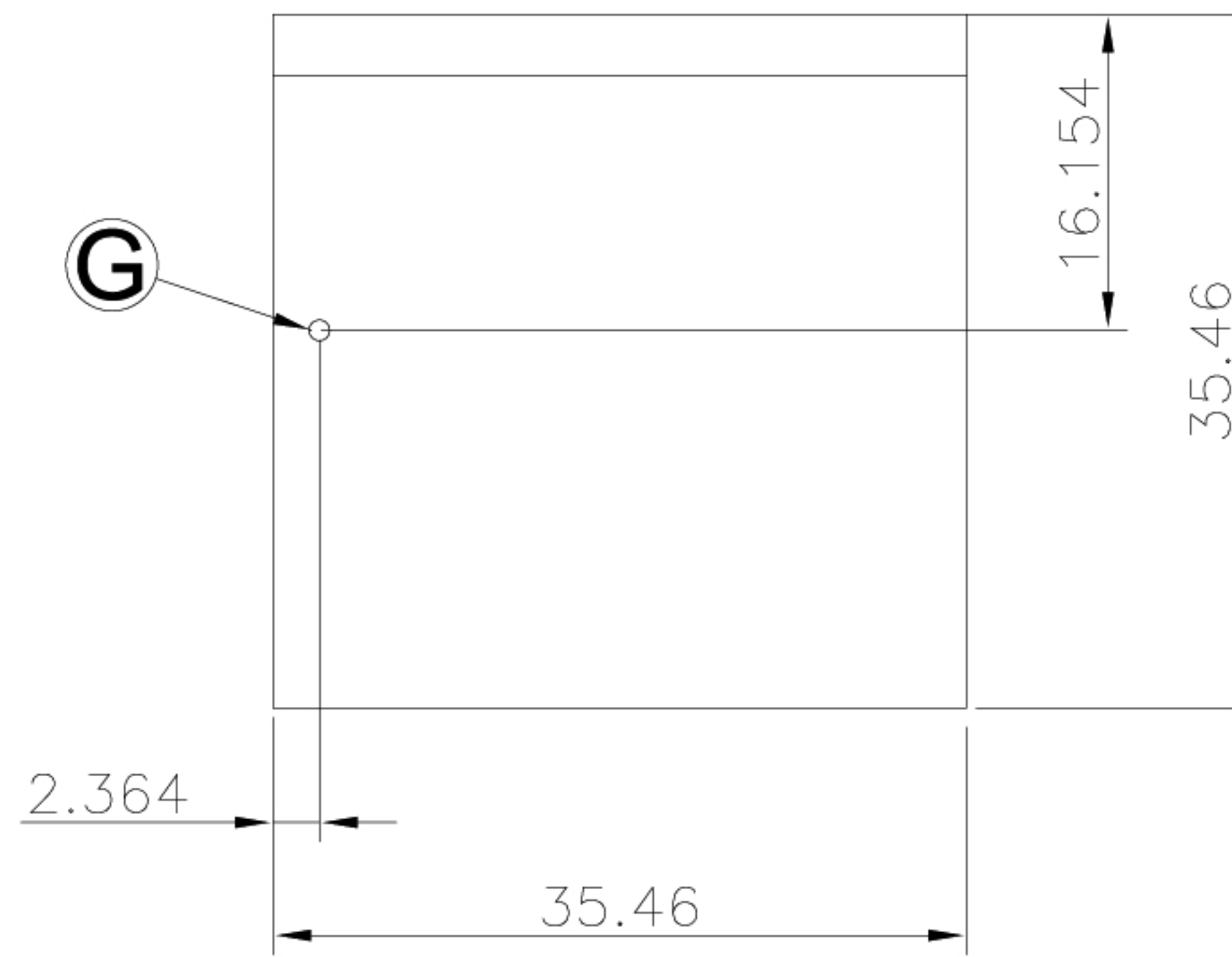
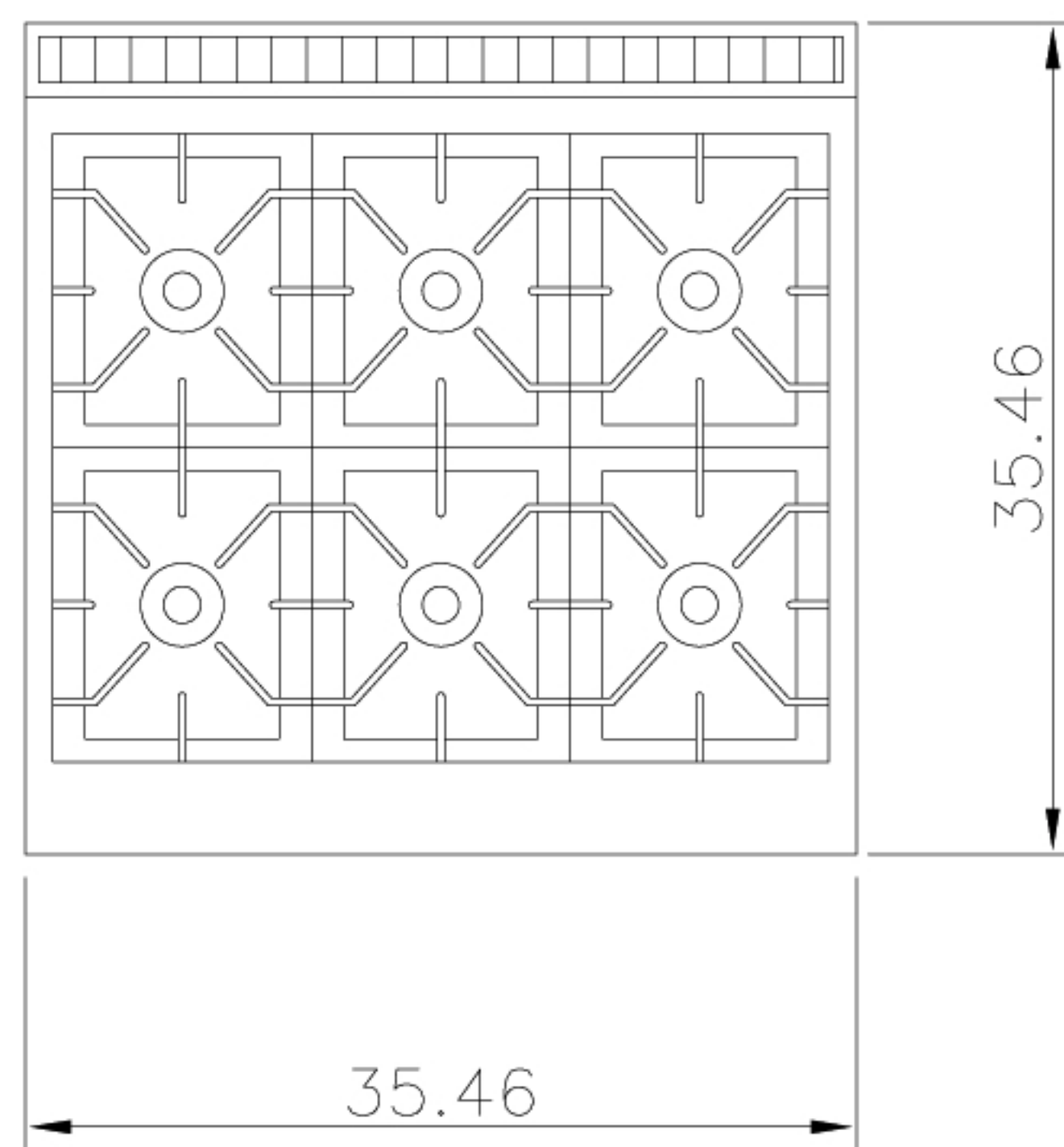
FRONT VIEW



SIDE VIEW



TOP VIEW



G – Gas supply connection $\text{Ø } \frac{3}{4}$ "

Installation Notes:

- A gas regulator must be installed and properly regulated: Nat. Gas=4"Water Column LP Gas=10" Water Column

Desco USA, Inc.
9620 Joliet Road
Countryside, IL 60525

Tel. 708.588.1099
Fax. 708.588.1097
www.descousa.com
info@descousa.com